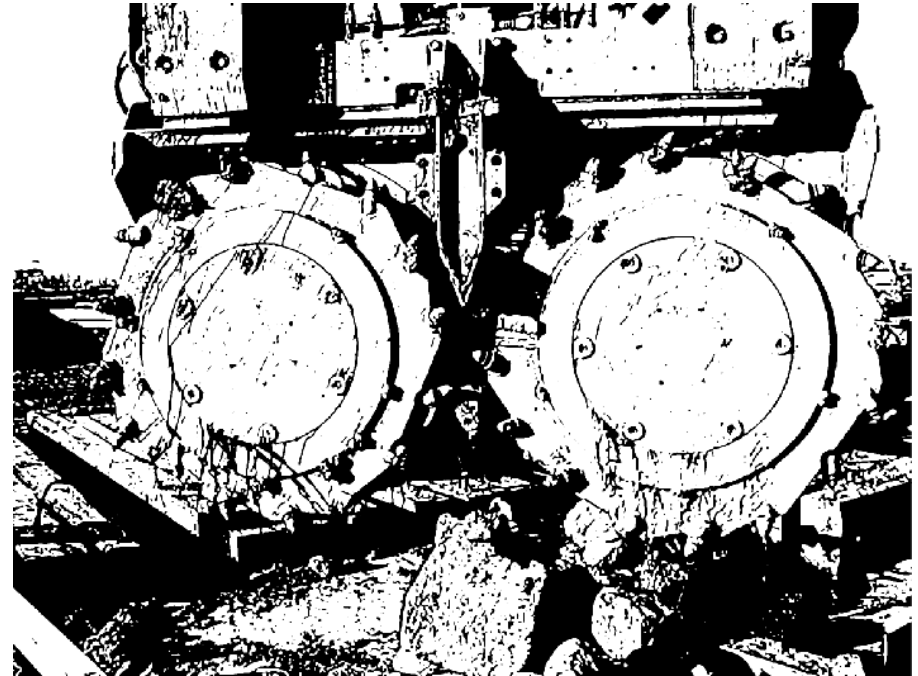


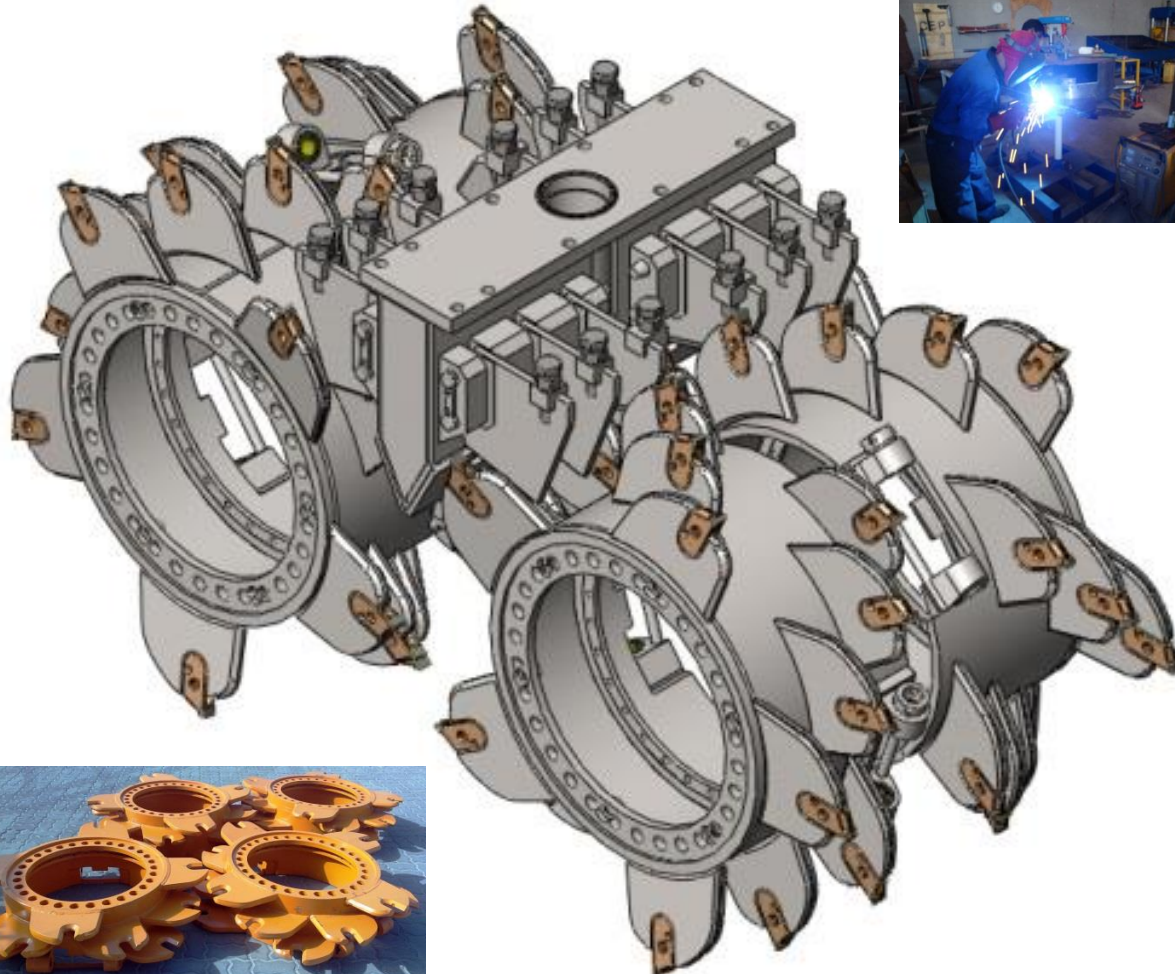
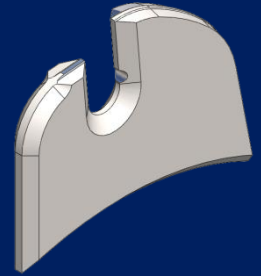
# Vibro Equipment & Parts Far East (HK) Limited

## TRENCH CUTTER DIVISION

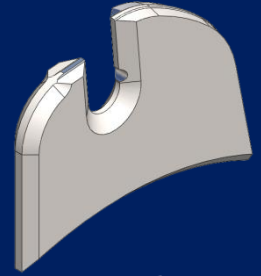


**Cutter Wheels, Suction Boxes,  
Steering / Cutter Frame Extension Kits**

# TRENCH CUTTER WHEELS (Standard Tooth Holder config')



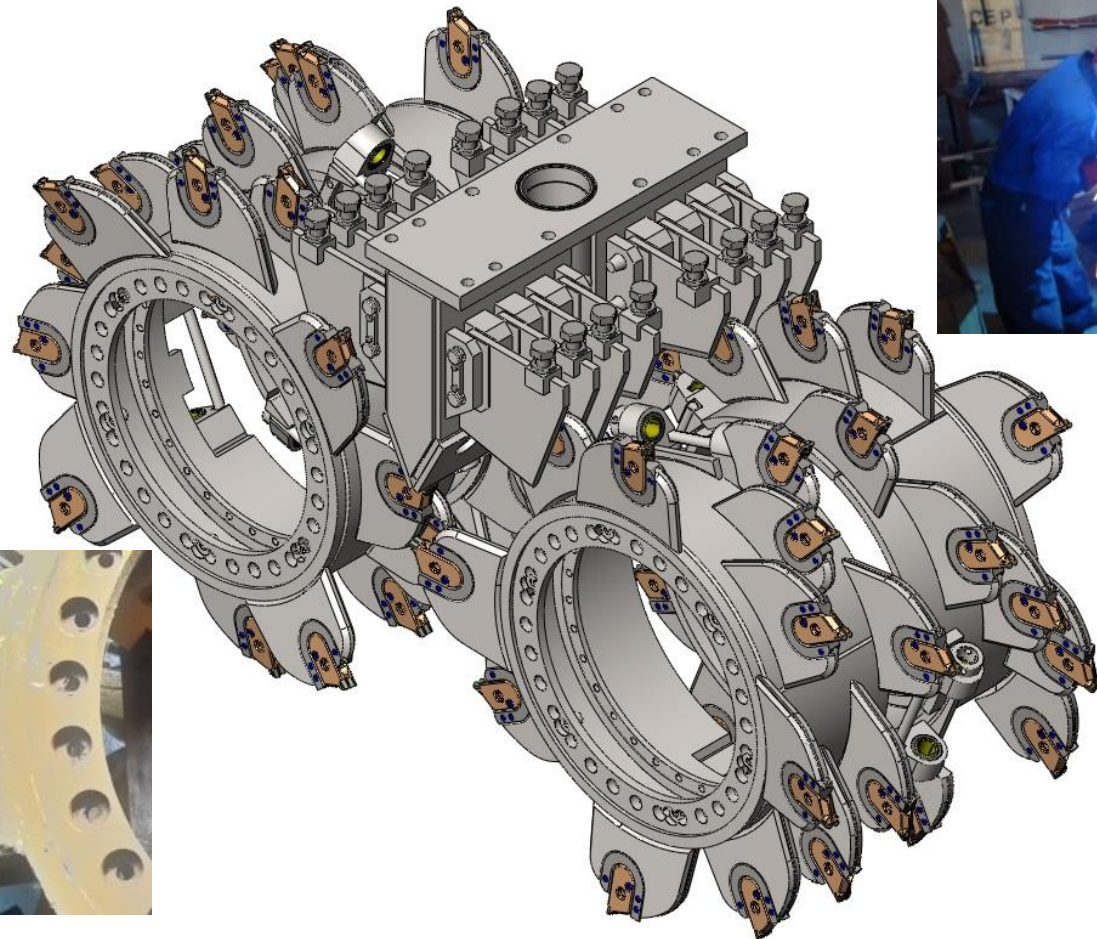
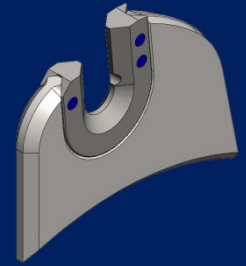
# TRENCH CUTTER WHEELS (Standard Tooth Holder config')



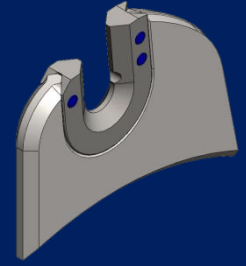
Part No	BC Model	Description
CA0051-01-00	25 / 30 / 32	RIGHT WHEEL - 640 - 10pc Standard Tooth Holder - 2pc Flap Holder / Pins - Cover Plate - Without Teeth
CA0052-01-00	25 / 30 / 32	LEFT WHEEL - 640 - 10pc Standard Tooth Holder - 2pc Flap Holder / Pins - Cover Plate - Without Teeth
CA0053-01-00	25 / 30 / 32	RIGHT WHEEL - 800 - 14pc Standard Tooth Holder - 2pc Flap Holder / Pins - Cover Plate - Without Teeth
CA0054-01-00	25 / 30 / 32	LEFT WHEEL - 800 - 14pc Standard Tooth Holder - 2pc Flap Holder / Pins - Cover Plate - Without Teeth
CA0055-01-00	25 / 30 / 32	RIGHT WHEEL - 1000 - 18pc Standard Tooth Holder - 2pc Flap Holder / Pins - Cover Plate - Without Teeth
CA0056-01-00	25 / 30 / 32	LEFT WHEEL - 1000 - 18pc Standard Tooth Holder - 2pc Flap Holder / Pins - Cover Plate - Without Teeth
CA0057-01-00	25 / 30 / 32	RIGHT WHEEL - 1200 - 18pc Standard Tooth Holder - 2pc Flap Holder / Pins - Cover Plate - Without Teeth
CA0058-01-00	25 / 30 / 32	LEFT WHEEL - 1200 - 18pc Standard Tooth Holder - 2pc Flap Holder / Pins - Cover Plate - Without Teeth
CA0129-01-00	40	RIGHT WHEEL - 800 - 14pc Standard Tooth Holder - 2pc Flap Holder / Pins - Cover Plate - Without Teeth
CA0130-01-00	40	LEFT WHEEL - 800 - 14pc Standard Tooth Holder - 2pc Flap Holder / Pins - Cover Plate - Without Teeth
CA0131-01-00	40	RIGHT WHEEL - 1000 - 18pc Standard Tooth Holder - 2pc Flap Holder / Pins - Cover Plate - Without Teeth
CA0132-01-00	40	LEFT WHEEL - 1000 - 18pc Standard Tooth Holder - 2pc Flap Holder / Pins - Cover Plate - Without Teeth
CA0133-01-00	40	RIGHT WHEEL - 1200 - 18pc Standard Tooth Holder - 2pc Flap Holder / Pins - Cover Plate - Without Teeth
CA0134-01-00	40	LEFT WHEEL - 1200 - 18pc Standard Tooth Holder - 2pc Flap Holder / Pins - Cover Plate - Without Teeth
CA0135-01-00	40	RIGHT WHEEL - 1500 - 23pc Standard Tooth Holder - 2pc Flap Holder / Pins - Cover Plate - Without Teeth
CA0136-01-00	40	LEFT WHEEL - 1500 - 23pc Standard Tooth Holder - 2pc Flap Holder / Pins - Cover Plate - Without Teeth



# TRENCH CUTTER WHEELS (Insert type Tooth Holder config')

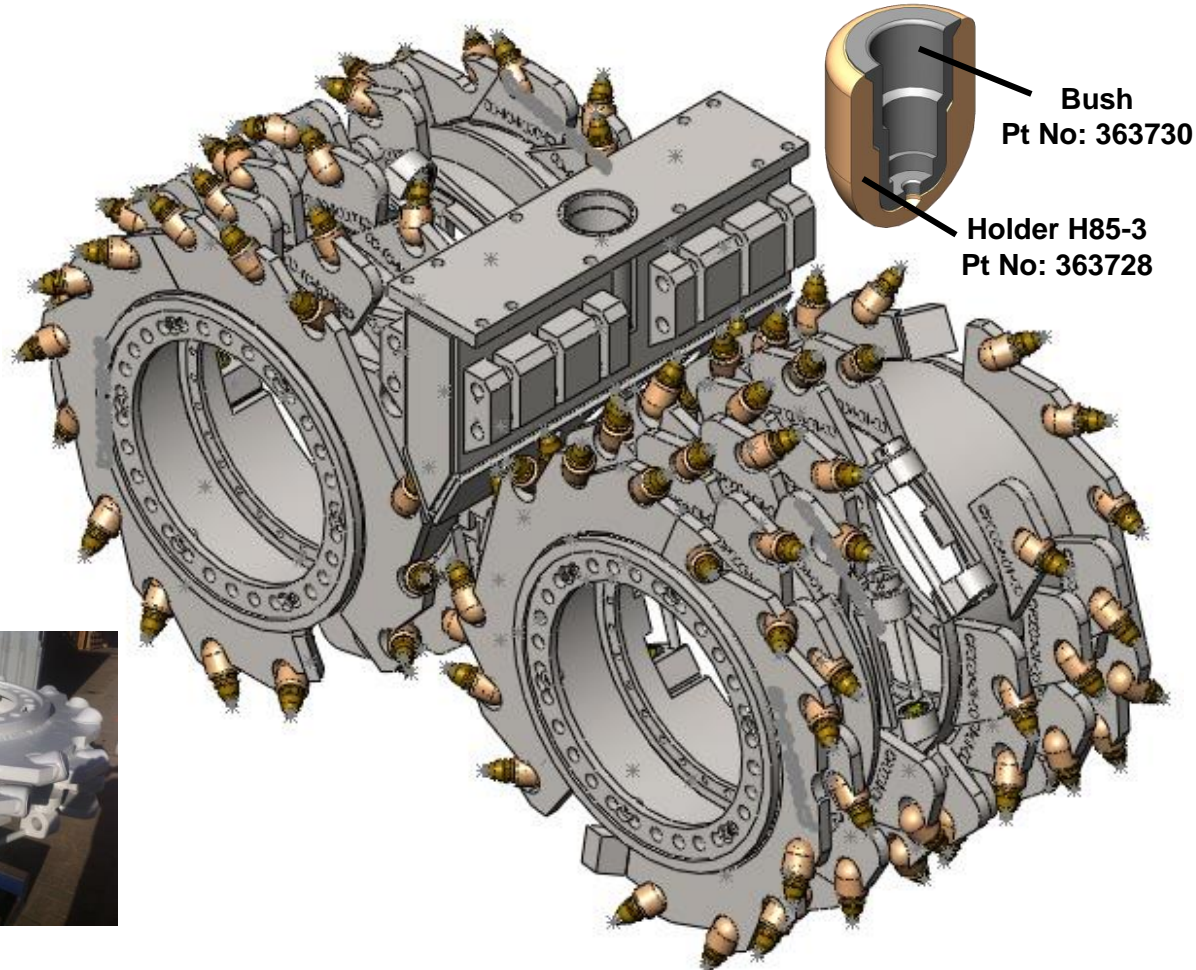


# TRENCH CUTTER WHEELS (Insert type Tooth Holder config')



Part No	BC Model	Description
CA0401-01-00	25 / 30 / 32	RIGHT WHEEL - 640 - 10pc Standard Tooth Holder with Inserts - 2pc Flap Holder / Pins - Cover Plate - Without Teeth
CA0402-01-00	25 / 30 / 32	LEFT WHEEL - 640 - 10pc Standard Tooth Holder with Inserts - 2pc Flap Holder / Pins - Cover Plate - Without Teeth
CA0403-01-00	25 / 30 / 32	RIGHT WHEEL - 800 - 14pc Standard Tooth Holder with Inserts - 2pc Flap Holder / Pins - Cover Plate - Without Teeth
CA0404-01-00	25 / 30 / 32	LEFT WHEEL - 800 - 14pc Standard Tooth Holder with Inserts - 2pc Flap Holder / Pins - Cover Plate - Without Teeth
CA0405-01-00	25 / 30 / 32	RIGHT WHEEL - 1000 - 18pc Standard Tooth Holder with Inserts - 2pc Flap Holder / Pins - Cover Plate - Without Teeth
CA0406-01-00	25 / 30 / 32	LEFT WHEEL - 1000 - 18pc Standard Tooth Holder with Inserts - 2pc Flap Holder / Pins - Cover Plate - Without Teeth
CA0407-01-00	25 / 30 / 32	RIGHT WHEEL - 1200 - 18pc Standard Tooth Holder with Inserts - 2pc Flap Holder / Pins - Cover Plate - Without Teeth
CA0408-01-00	25 / 30 / 32	LEFT WHEEL - 1200 - 18pc Standard Tooth Holder with Inserts - 2pc Flap Holder / Pins - Cover Plate - Without Teeth
CA0411-01-00	40	RIGHT WHEEL - 800 - 14pc Standard Tooth Holder with Inserts - 2pc Flap Holder / Pins - Cover Plate - Without Teeth
CA0412-01-00	40	LEFT WHEEL - 800 - 14pc Standard Tooth Holder with Inserts - 2pc Flap Holder / Pins - Cover Plate - Without Teeth
CA0413-01-00	40	RIGHT WHEEL - 1000 - 18pc Standard Tooth Holder with Inserts - 2pc Flap Holder / Pins - Cover Plate - Without Teeth
CA0414-01-00	40	LEFT WHEEL - 1000 - 18pc Standard Tooth Holder with Inserts - 2pc Flap Holder / Pins - Cover Plate - Without Teeth
CA0415-01-00	40	RIGHT WHEEL - 1200 - 18pc Standard Tooth Holder with Inserts - 2pc Flap Holder / Pins - Cover Plate - Without Teeth
CA0416-01-00	40	LEFT WHEEL - 1200 - 18pc Standard Tooth Holder with Inserts - 2pc Flap Holder / Pins - Cover Plate - Without Teeth
CA0417-01-00	40	RIGHT WHEEL - 1500 - 23pc Standard Tooth Holder with Inserts - 2pc Flap Holder / Pins - Cover Plate - Without Teeth
CA0418-01-00	40	LEFT WHEEL - 1500 - 23pc Standard Tooth Holder with Inserts - 2pc Flap Holder / Pins - Cover Plate - Without Teeth

# TRENCH CUTTER WHEELS (Full Face – Round Shank Chisel config')



# TRENCH CUTTER WHEELS

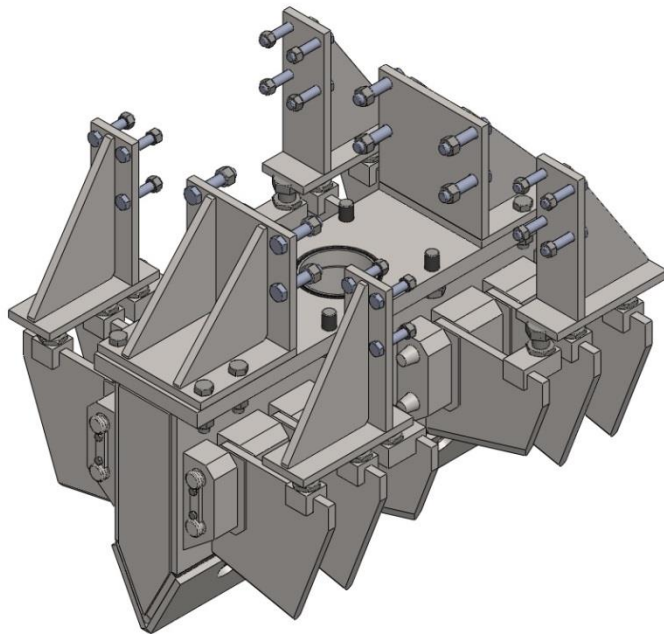
## (Full Face – Round Shank Chisel config’)



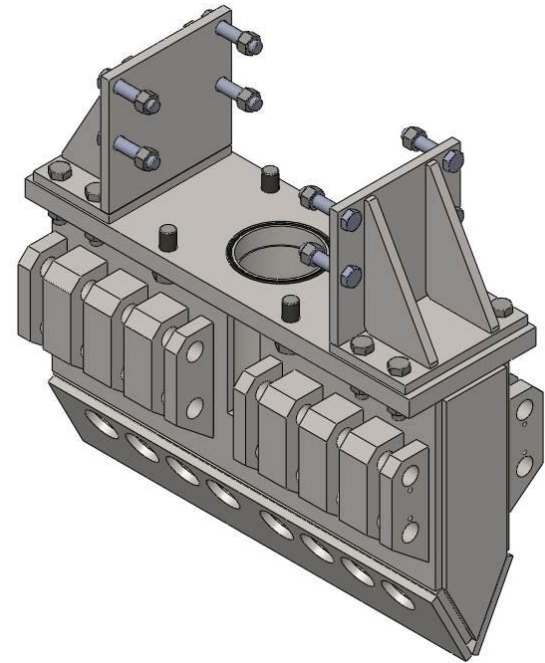
Part No	BC Model	Description
CA0059-01-00	25 / 30 / 32	RIGHT WHEEL - 640 - 21pc H85-3 Tooth Holder / Bush (NT)- 2pc Flap Holder / Pins - Cover Plate - Without Teeth
CA0060-01-00	25 / 30 / 32	LEFT WHEEL - 640 - 21pc H85-3 Tooth Holder / Bush (NT)- 2pc Flap Holder / Pins - Cover Plate - Without Teeth
CA0061-01-00	25 / 30 / 32	RIGHT WHEEL - 800 - 25pc H85-3 Tooth Holder / Bush (NT)- 2pc Flap Holder / Pins - Cover Plate - Without Teeth
CA0062-01-00	25 / 30 / 32	LEFT WHEEL - 800 - 25pc H85-3 Tooth Holder / Bush (NT)- 2pc Flap Holder / Pins - Cover Plate - Without Teeth
CA0063-01-00	25 / 30 / 32	RIGHT WHEEL - 1000 - 29pc H85-3 Tooth Holder / Bush (NT)- 2pc Flap Holder / Pins - Cover Plate - Without Teeth
CA0064-01-00	25 / 30 / 32	LEFT WHEEL - 1000 - 29pc H85-3 Tooth Holder / Bush (NT)- 2pc Flap Holder / Pins - Cover Plate - Without Teeth
CA0065-01-00	25 / 30 / 32	RIGHT WHEEL - 1200 - 35pc H85-3 Tooth Holder / Bush (NT)- 2pc Flap Holder / Pins - Cover Plate - Without Teeth
CA0066-01-00	25 / 30 / 32	LEFT WHEEL - 1200 - 35pc H85-3 Tooth Holder / Bush (NT)- 2pc Flap Holder / Pins - Cover Plate - Without Teeth
CA0103-01-00	40	RIGHT WHEEL - 800 - 25pc H85-3 Tooth Holder / Bush (NT)- 2pc Flap Holder / Pins - Cover Plate - Without Teeth
CA0104-01-00	40	LEFT WHEEL - 800 - 25pc H85-3 Tooth Holder / Bush (NT)- 2pc Flap Holder / Pins - Cover Plate - Without Teeth
CA0105-01-00	40	RIGHT WHEEL - 1000 - 29pc H85-3 Tooth Holder / Bush (NT)- 2pc Flap Holder / Pins - Cover Plate - Without Teeth
CA0106-01-00	40	LEFT WHEEL - 1000 - 29pc H85-3 Tooth Holder / Bush (NT)- 2pc Flap Holder / Pins - Cover Plate - Without Teeth
CA0107-01-00	40	RIGHT WHEEL - 1200 - 35pc H85-3 Tooth Holder / Bush (NT)- 2pc Flap Holder / Pins - Cover Plate - Without Teeth
CA0108-01-00	40	LEFT WHEEL - 1200 - 35pc H85-3 Tooth Holder / Bush (NT)- 2pc Flap Holder / Pins - Cover Plate - Without Teeth
CA0109-01-00	40	RIGHT WHEEL - 1500 - 41pc H85-3 Tooth Holder / Bush (NT)- 2pc Flap Holder / Pins - Cover Plate - Without Teeth
CA0110-01-00	40	LEFT WHEEL - 1500 - 41pc H85-3 Tooth Holder / Bush (NT)- 2pc Flap Holder / Pins - Cover Plate - Without Teeth



# TRENCH CUTTER SUCTION BOXES



**Configuration for Standard Wheels**



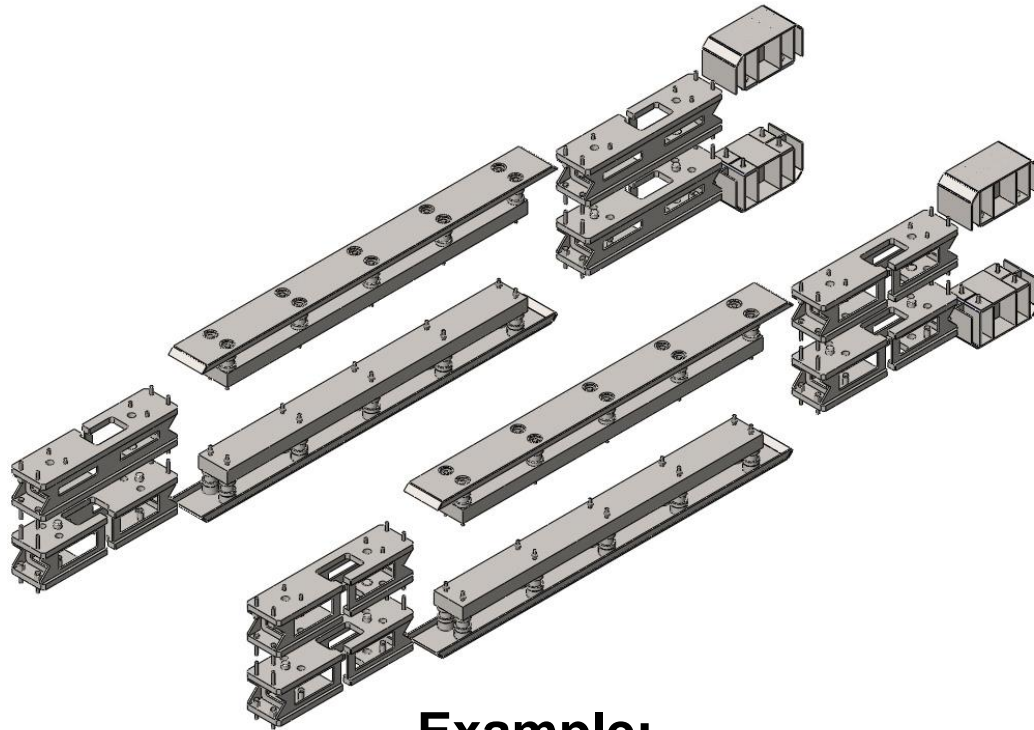
**Configuration for Full Face Wheels**



# TRENCH CUTTER SUCTION BOXES

Part No	BC Model	Description
CA0174-01-00	25 / 30 / 32	640 - STANDARD WHEEL CONFIG' - Inlet 8 x 75mm - 8 Reamer Plates (4pc short version, 4pc long version) - 4pc Support - 4pc Trestle – All Mounting Materials
CA0174-02-00	25 / 30 / 32	640 - FULL FACE CONFIG' - Inlet 8 x 75mm - 4pc Support – All Mounting Materials
CA0175-01-00	25 / 30 / 32 / 40	800 - STANDARD WHEEL CONFIG' - Inlet 12 x 75mm - 12 Reamer Plates (4 pc short version, 8pc long version) - 4pc Support - 4pc Trestle – All Mounting Materials
CA0175-02-00	25 / 30 / 32 / 40	800 - FULL FACE CONFIG' - Inlet 12 x 75mm - 4pc Support – All Mounting Materials
CA0176-01-00	25 / 30 / 32 / 40	1000 - STANDARD WHEEL CONFIG' - Inlet 16 x 75mm - 16 Reamer Plates (4 pc short version, 12pc long version) - 4pc Support - 4pc Trestle – All Mounting Materials
CA0176-02-00	25 / 30 / 32 / 40	1000 - FULL FACE CONFIG' - Inlet 16 x 75mm - 4pc Support – All Mounting Materials
CA0177-01-00	25 / 30 / 32 / 40	1200 - STANDARD WHEEL CONFIG' - Inlet 12 x 75mm - 12 Reamer Plates (4 pc short version, 8pc long version) - 4pc Support - 4pc Trestle – All Mounting Materials
CA0177-02-00	25 / 30 / 32 / 40	1200 - FULL FACE CONFIG' - Inlet 12 x 75mm - 4pc Support – All Mounting Materials
CA0178-01-00	40	1500 - STANDARD WHEEL CONFIG' - Inlet 16 x 75mm - 16 Reamer Plates (4 pc short version, 12pc long version) - 4pc Support - 4pc Trestle – All Mounting Materials
CA0178-02-00	40	1500 - FULL FACE CONFIG' - Inlet 16 x 75mm - 4pc Support – All Mounting Materials

# TRENCH CUTTER STEERING / CUTTER FRAME EXTENSION KITS



**Example:**

**Assembly: CA0451-01-00**

**BC32 - Cutter Frame and Steering Flap Extension Kit - 1200mm  
Complete & Inclusive of all fixing materials**

# TRENCH CUTTER STEERING / CUTTER FRAME EXTENSION KITS

Part No	BC Model	Description
CA0441-01-00	BC32	800mm - Consisting of: 4pc CA0440-01-00 - Middle Frame Extension and 4pc CA0438-01-00 - Upper Frame Extension 4pc CA0069-01-00 - Steering Flap Base Assembly – Left and 4pc CA0071-01-00 - Steering Flap Base Assembly - Right
CA0446-01-00	BC32	1000mm - Consisting of: 4pc CA0445-01-00 - Middle Frame Extension and 4pc CA0443-01-00 - Upper Frame Extension 4pc CA0073-01-00 - Steering Flap Base Assembly – Left and 4pc CA0075-01-00 - Steering Flap Base Assembly - Right
CA0451-01-00	BC32	1200mm - Consisting of: 4pc CA0450-01-00 - Middle Frame Extension and 4pc CA0448-01-00 - Upper Frame Extension 4pc CA0077-01-00 - Steering Flap Base Assembly – Left and 4pc CA0079-01-00 - Steering Flap Base Assembly - Right
CA0456-01-00	BC40	1000mm - Consisting of: 4pc CA0455-01-00 - Middle Frame Extension and 4pc CA0453-01-00 - Upper Frame Extension 4pc CA0140-01-00 - Steering Flap Base Assembly – Left and 4pc CA0143-01-00 - Steering Flap Base Assembly - Right
CA0461-01-00	BC40	1200mm - Consisting of: 4pc CA0460-01-00 - Middle Frame Extension, 4pc CA0458-01-00 - Upper Frame Extension 4pc CA0145-01-00 - Steering Flap Base Assembly – Left, 4pc CA0147-01-00 - Steering Flap Base Assembly - Right
CA0466-01-00	BC40	1500mm - Consisting of: 4pc CA0463-01-00 - Middle Frame Extension, 4pc CA0458-01-00 - Upper Frame Extension 4pc CA0149-01-00 - Steering Flap Base Assembly – Left, 4pc CA0151-01-00 - Steering Flap Base Assembly - Right

**Complete Assemblies Inclusive of all fixing materials  
Available for All Models**

**Listed above are only a few examples – please ask for further info’**

# CONTACT US



+63 (0) 927 989 8224  
+63 (0) 917 326 0969



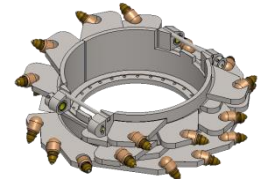
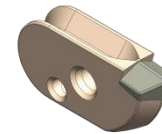
WhatsApp



[sales@trenchcutter.com](mailto:sales@trenchcutter.com)



trenchcutter



**Vibro Equipment & Parts Far East Co.**

*Innovation & technology within reach*

Vibroflotation Equipment  
Specialists



[sales@vibro-equipmentfareast.com](mailto:sales@vibro-equipmentfareast.com)

